

E/NTES

The **Thinnest**
Only **45 mm**
Depth



EMM Series Multimeters

EMM Series multimeters measure electrical parameters of 3 phase networks.

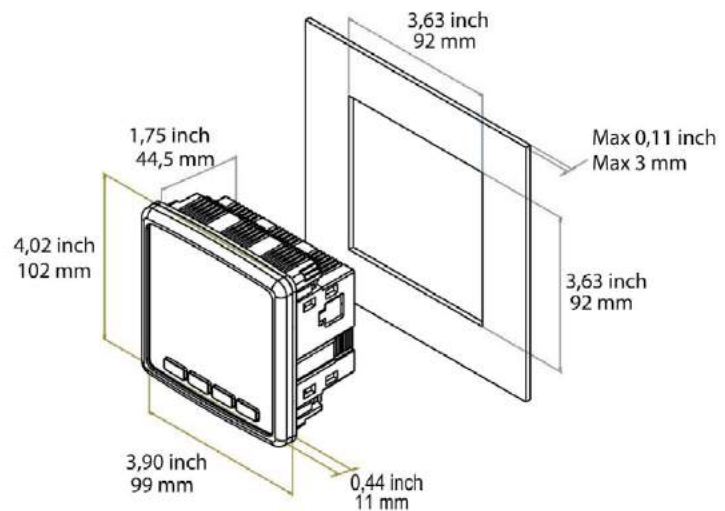
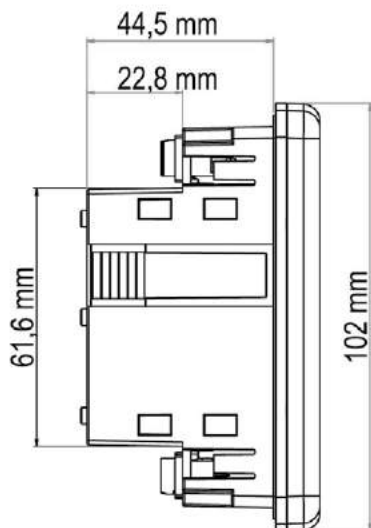
EMM series has **modern face** with 3 row 4 digit special designed display. EMM series have optional modbus serial communication interface for transmitting instantaneous electrical data and alarm output.

With the new **slim design (45mm)**, you can easily install to narrowest panels.

- Slim design with **45mm** depth including terminal block
- Special designed display
- X/5 and X/1 current transformer options
- RS-485 Modbus communication(Optional)
- Alarm output(Optional)
- Voltage, Current, Frequency, Cos ϕ measurement
- 100-270VAC/DC Aux supply
- IP20 protection class
- Phase indicator on front panel
- Demand measurement
- Run hour
- Calculated neutral current



	EMM-04	EMM-04S	EMM-04CS
ENCLOSURE			
Dimensions	96x96x44,5 mm		
Protection Class	IP20		
Display	3x4 LED Display		
MASUREMENT			
Voltage			
Measurement Range	Up to 300 VAC(VLN) /480 VAC(VLL)		
Accuracy	%0,5		
CURRENT			
Measurement Range	0,05-5,5 A		
Accuracy	%0,5		
SUPPLY			
Operating Voltage	100-270 VAC (-15%+10%)		
Operating Frequency	50-60 Hz		
OUTPUT STRUCTURE			
Run Hour Meter	✓		
Total Run Hour Meter	✓		
Contact Output (Optional)	X		2x (5A 250 VAC/ 1250VA)
COMMUNICATION			
Communication Protocol	X	RS-485 Modbus RTU	RS-485 Modbus RTU
AMBIENT CONDITIONS			
Operating Temperature	-20+70°C		
Storing Temperature	-30+80°C		
Max Humidity	%95		
IP Protection	IP 20		
STANDARTS			
	EN 61326,61000-6-4,61000-6-2 emc EN 61010-1 Safety EN 60529 Mechanical EN 60068-2-1,60068-2-2 ,60068-2-30 Environmental		
CONNECTIONS			
Mounting	Front Panel Mounting		
Connection terminals	Screw Terminal with Socket		
Connection types	3P3W, 3P4W, Aron, 3P3W(B), 3P4W(B)		



HEADQUARTERS

Address: Dudullu OSB; 1. Cadde; No: 23 34776 Umraniye - ISTANBUL / TURKEY Tel: +90 216 313 01 10 Fax: +90 216 314 16 15 Sales Fax: +90 216 365 71 71
E-mail: contact@entes.eu Web: www.entes.eu Coordinates: 40,995852 N, 29,178398 E

INTERNATIONAL BRANCH OFFICES

İSTANBUL : contact@entes.eu Tel: +90 216 313 01 10 Fax: +90 216 314 16 15
INDIA : contact@entes.in Tel: +91 981 - 2980004
GREECE : contact@entes.eu Tel: +30 2310 706999 +30 2310 707296
GERMANY : kontakt@enteselektronik.com Tel: +49(0) 7022-931992-0

© ENTES Elektronik Cihazlar İmalat ve Ticaret A.Ş.

